

**With two separate flows and a directly mounted By-Pass valve, the Sunfab's SCPD 56/26 By-Pass DIN is the most flexible compact fixed flow pump on the market.**

SCPD 56/26 DIN By-Pass is ideal for combination vehicles which require different flows and where there is a need to operate equipment while moving. The pump is primarily intended for engine-mounted power take-offs. The constant engagement is made possible by the By-Pass valve, which immediately relieves the load on the pump and power take-off when oil is not required. The pressure drop of the By-Pass valve is very low, so its function is energy efficient.

**Other advantages:**

- The By-Pass valve can relieve the load from full operating pressure of 400 bar, which allows emergency stop function
- The valve's 24 V solenoids have integrated electrical cables which meet protection class ADR

## Versions, main data

Example

SC	PD	-	56/26	L	-	V	-	DL4	-	L35	-	S0	S	-	2	00
Line	1		2	3		4		5		6		7	8		9	10

Line	
SC	Sunfab Compact, bent-axis design

1. Type	
P	Dual flow pump

2. Displacement	
	56/26

3. Direction of rotation	
R	Right
L	Left

4. Shaft seal	
V	FPM

5. Mounting flange	
DL4	DIN 4-h (ISO 7653D)

6. Shaft	
L35	DIN 5462 / ISO 14
H35	DIN 5462 / ISO 14 Ø 8.15

7. Connection cover	
S0	40° Sunfab standard

8. Connections	
S	Sunfab standard

9. Additional	
2	Optimised

10. Accessories	
00	No accessories available

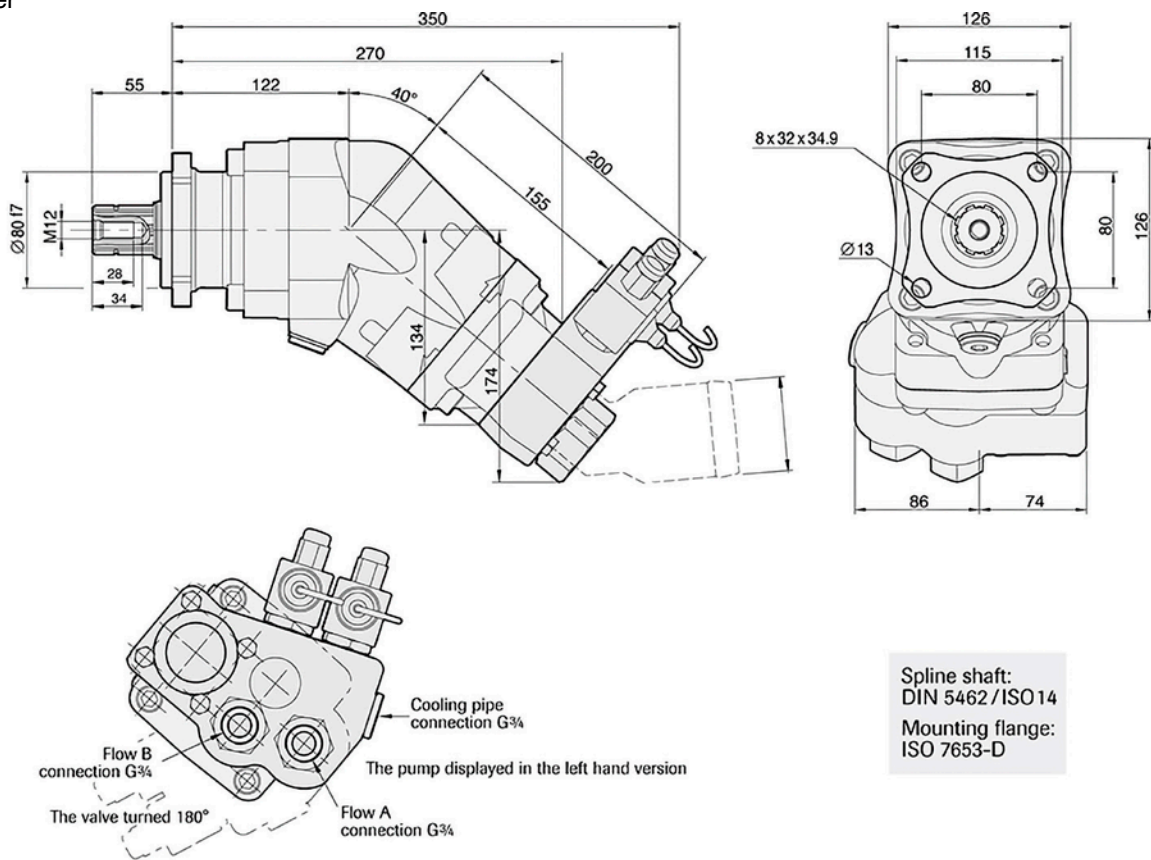
Double by-pass valve Art. no 20536 is ordered seperately.

SCPD 56/26 DIN By-Pass

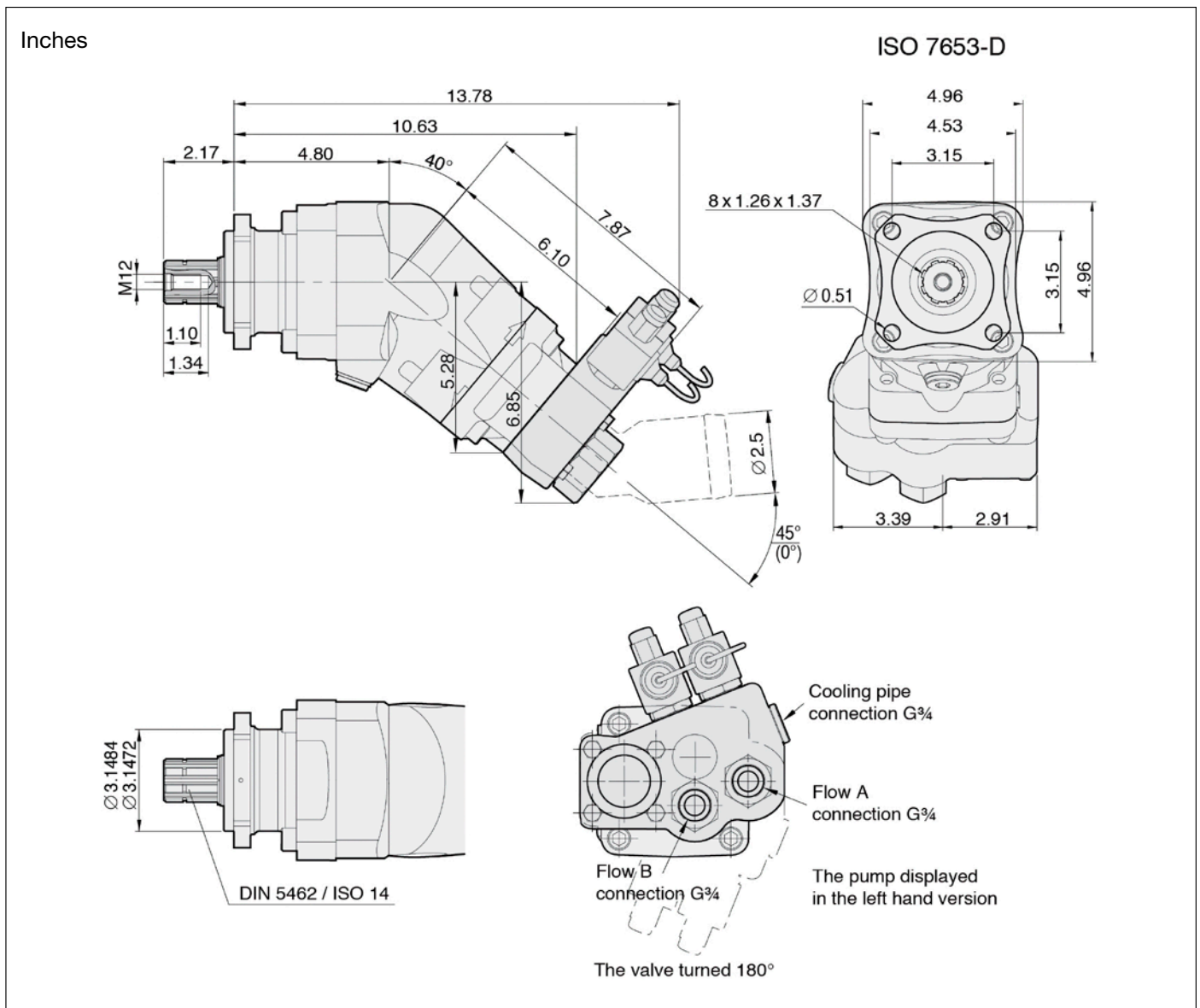
Theoretical oil flow, A+B at pump speed				
rpm	600	l/min 34+16=50		
	1000	56+26=82		
	1200	67+31=98		
	1500	84+39=123		
	1800	101+47=148		
Displacement A+B				
cm <sup>3</sup> /rev		56.0+26.1		
Max pump speed A+B				
rpm		1850		
Max pump speed A				
rpm		1850		
Max pump speed B				
rpm		2200		
Max pump speed, relieved				
rpm		2700		
Max working pressure				
bar		400		
Weight without valve				
kg		18.0		
Weight with valve				
kg		22.5		
Tare-weight torque without valve				
Nm		21.0		
Tare-weight torque with valve				
Nm		25.5		
Theoretical power at pressure and pump speed				
rpm		200 Bar	300 Bar	400 Bar
	600	11.2+5.2=16.4 kW	16.8+7.8=24.6 kW	22.4+10.4=32.8 kW
	1200	22.4+10.4=32.8 kW	33.6+15.6=49.2 kW	44.8+20.8=65.6 kW
	1800	33.6+15.6=49.2 kW	50.4+23.4=73.8 kW	67.2+31.2=98.4 kW
Nominal torque on pump shaft at different pressures				
		200 Bar	300 Bar	400 Bar
		178+83=261 Nm	267+124=391 Nm	356+165=521 Nm
Direction of rotation				
Left (L) or Right (R)				

## Dimensions SCPD 56/26 DIN By-Pass

Millimeter



## Dimensions SCPD 56/26 DIN By-Pass





**WARNING!**

When the pump is running:

1. Do not touch the pressure hose
2. Watch out for rotating parts
3. The pump and hoses may be hot

Sunfab reserves the right to make changes in design and dimensions without notice. Printing and typesetting errors reserved.

© Copyright 2023 Sunfab Hydraulics AB. All Rights Reserved.